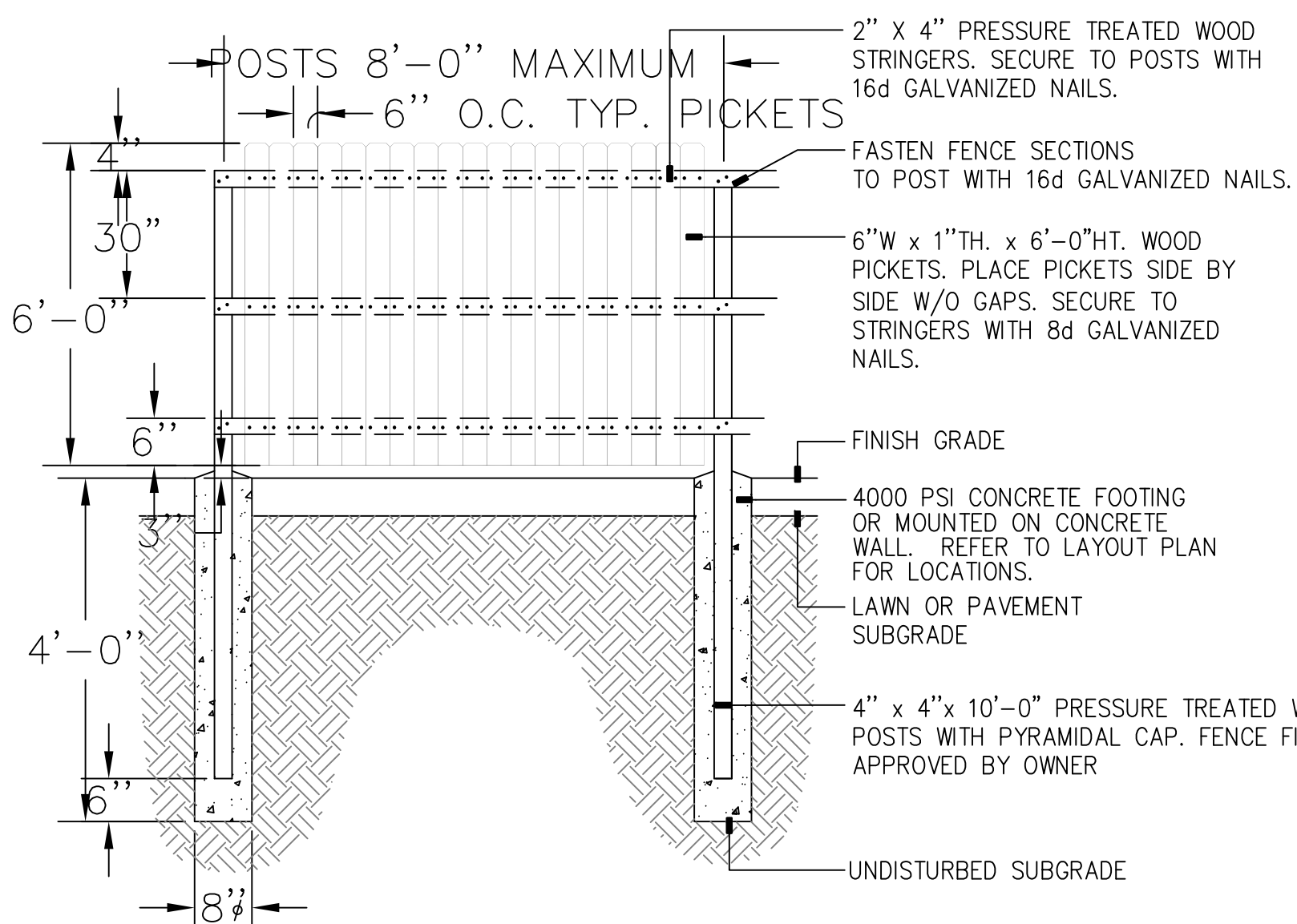
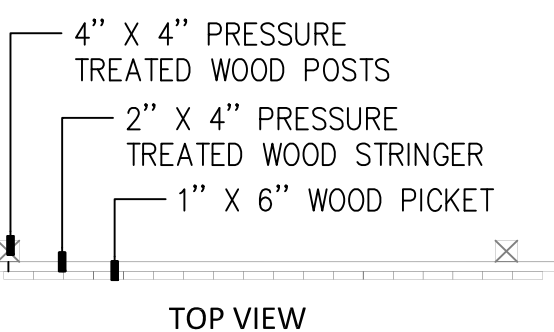
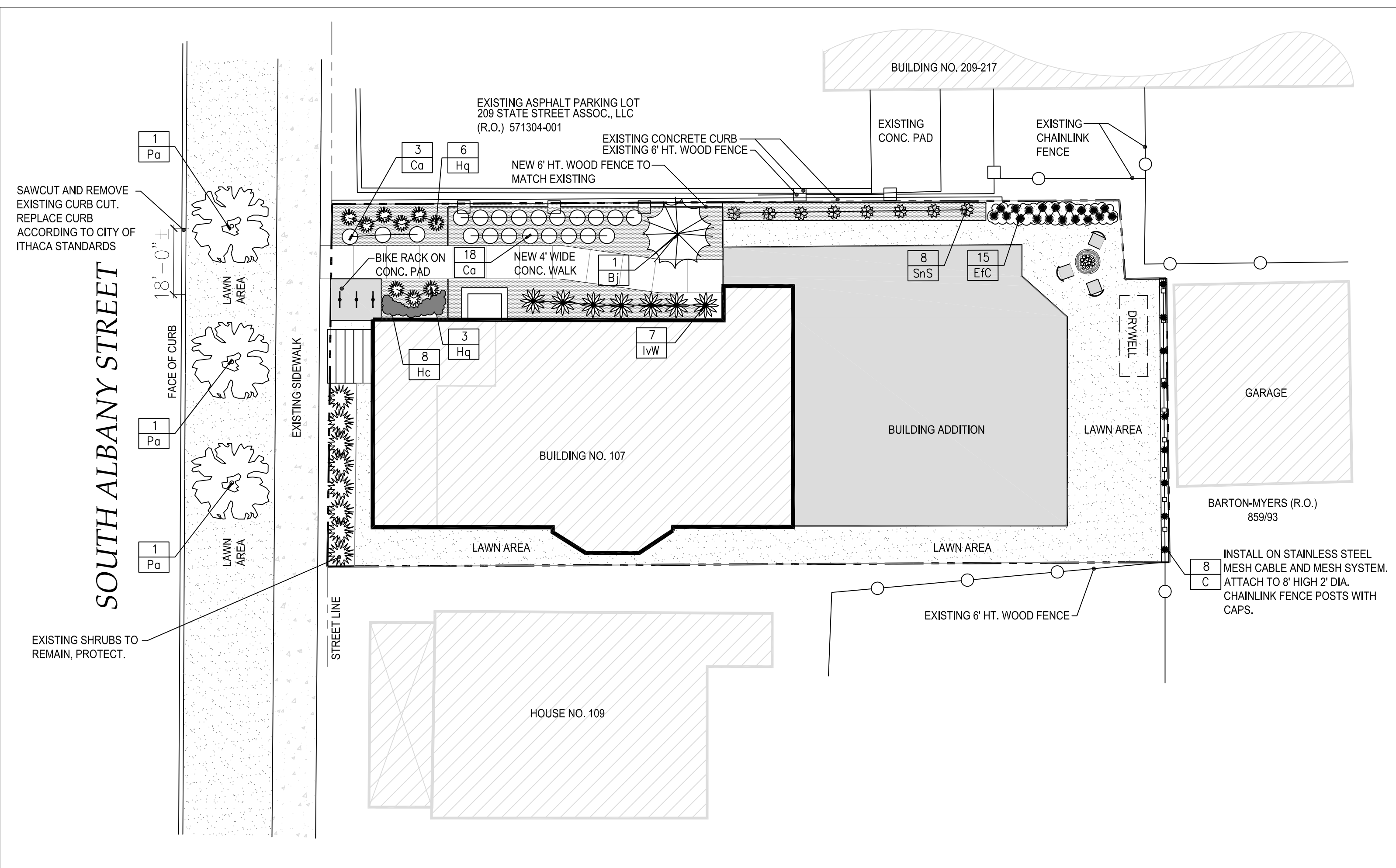
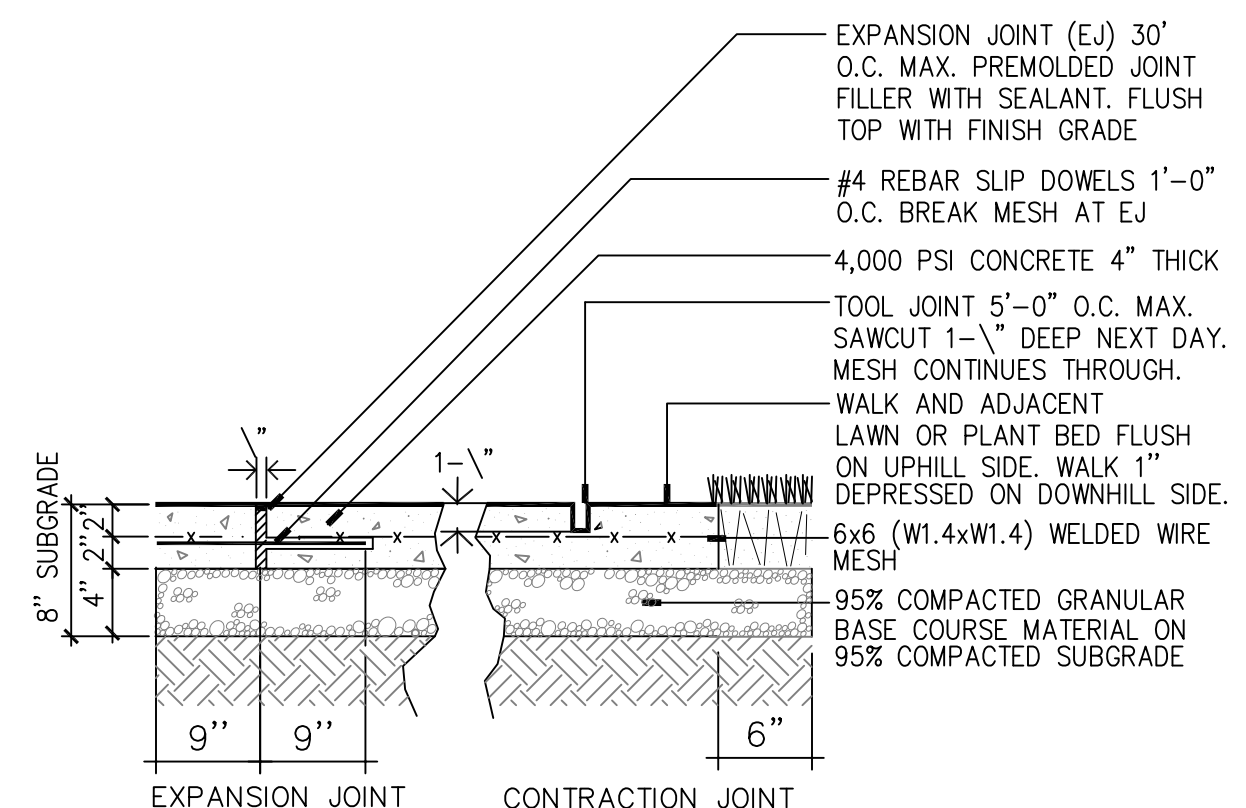


**PLANT LIST**

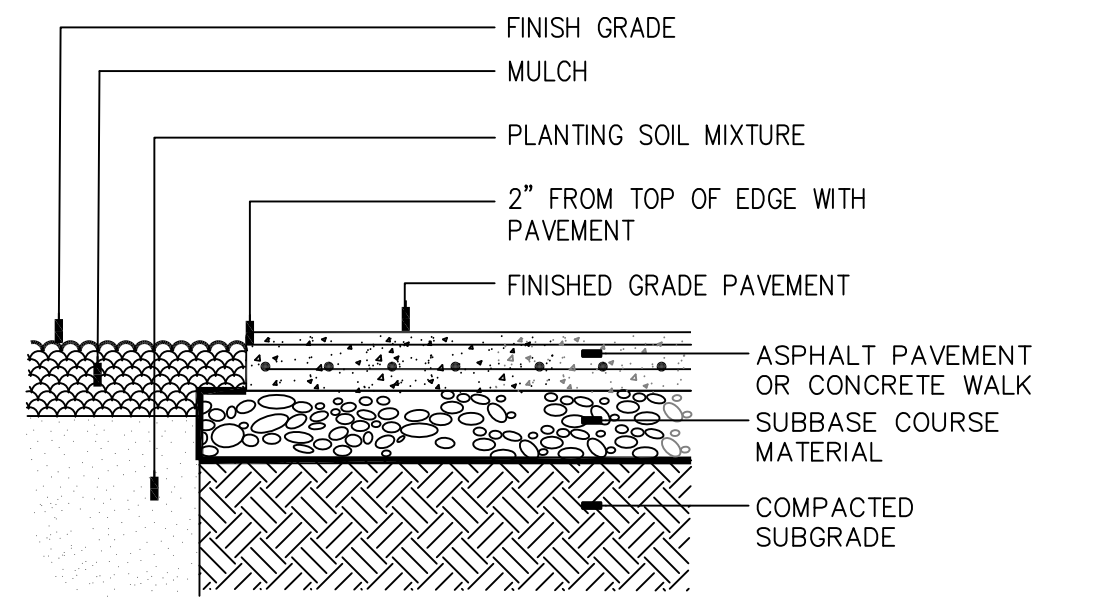
QTY	KEY	BOTANICAL NAME	COMMON NAME	SIZE + ROOT	SPACING	NOTES
1	BJ	BETULA UTILIS VAR. JACQUEMONTII	HIMALAYAN BIRCH	10-12' HT., B&B	AS SHOWN	MULTISTEM
8	C	CLEMATIS VENOSA VIOLACEA	CLEMATIS	6" POTS	4'-0" O.C.	SINGLE STEM
21	CA	CLETHRRA ALNIFOLIA "HUMMINGBIRD"	"HUMMINGBIRD" SUMMERSWEET	No. 3 CONT.	3" O.C.	FRAGRANT WHITE FLOWER
15	EFC	EUONYMUS FORTUNEI "COLORATUS"	COLORATA EUONYMUS	1 GALLON CONT.	PLANT 20" O.C.	
8	HC	HEMEROCALLIS-3 CULTIVARS SELECTED	DAYLILLIES	#2 CONT.	PLANT 20" O.C.	
9	HQ	HYDRANGEA QUERCIFOLIA "SNOW QUEEN"	SNOW QUEEN OAKLEAF HYDRANGEA	# 7 CONT.	PLANT 36" O.C.	
7	IWV	ILEX VERTICILLATA "WINTER RED"	WINTER RED WINTERBERRY	36" HT., B&B	5" O.C.	
5	PA	PLATANUS ACERIFOLIA	LONDON PLANETREE	2-3" CAL. B&B	AS SHOWN	
8	SNS	SPIREA NIPPONICA "SNOWMOUND"	ANTHONY WATERER SPIREA	No. 3 CONT.	18-24" O.C.	FLOWERS JUNE-AUGUST



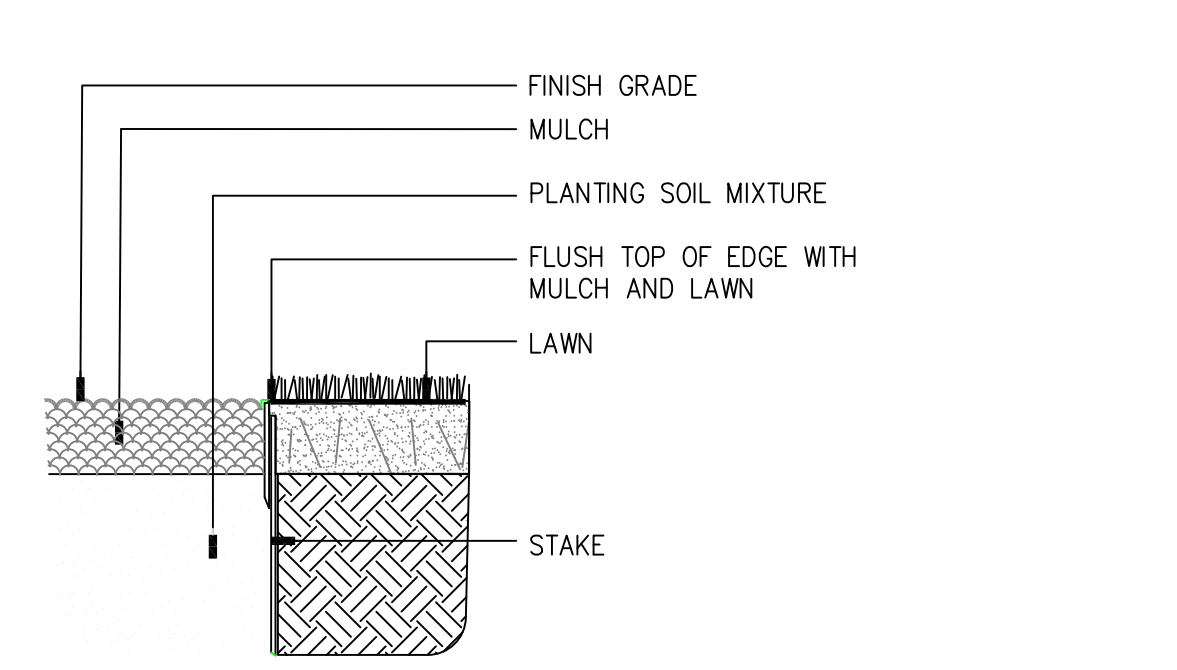
**9 TYPICAL WOOD PRIVACY FENCE**  
SECTION \* NOT TO SCALE 02750-010



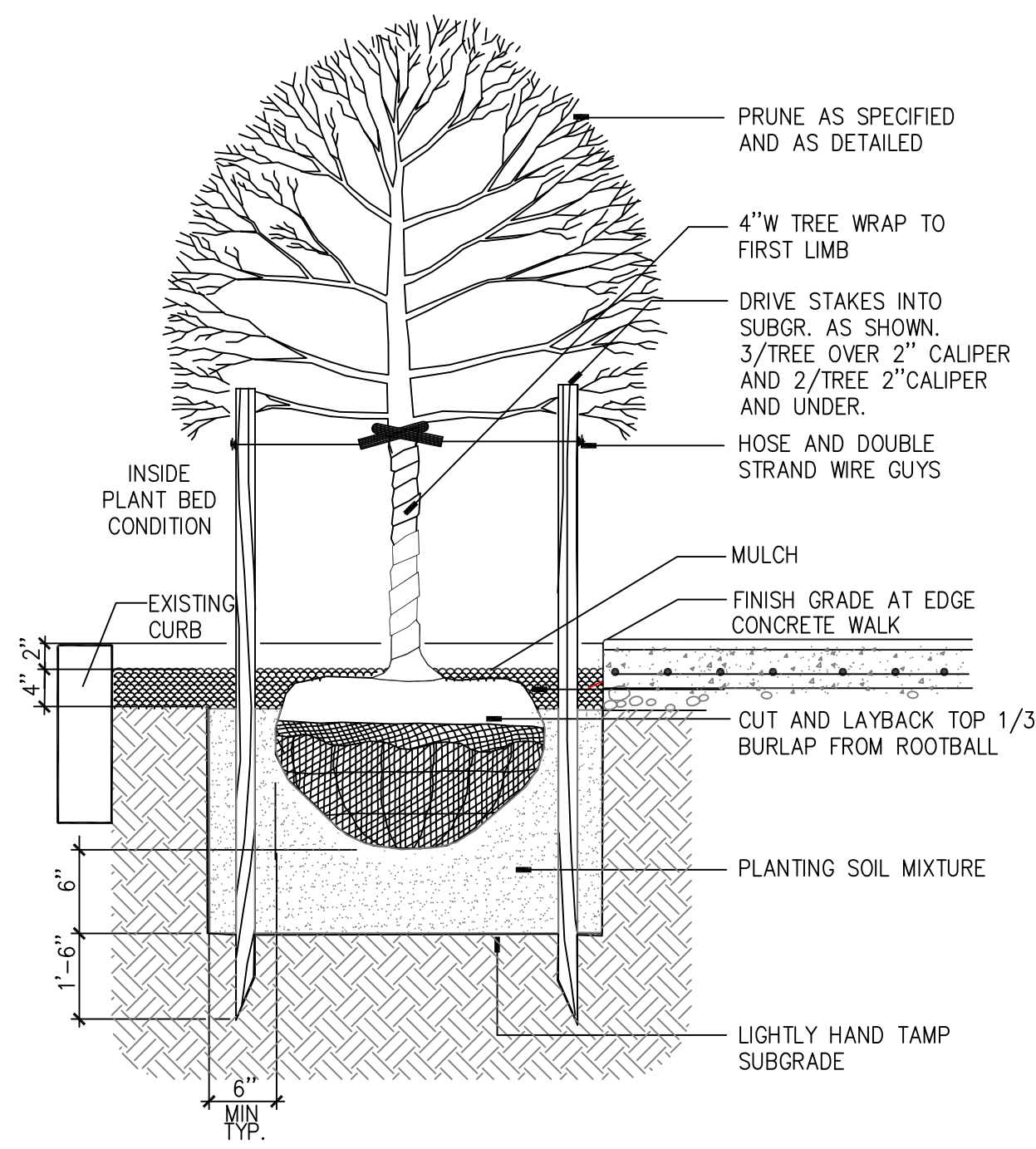
**8 CONCRETE WALK - STANDARD**  
SECTION \* NOT TO SCALE 2770-202



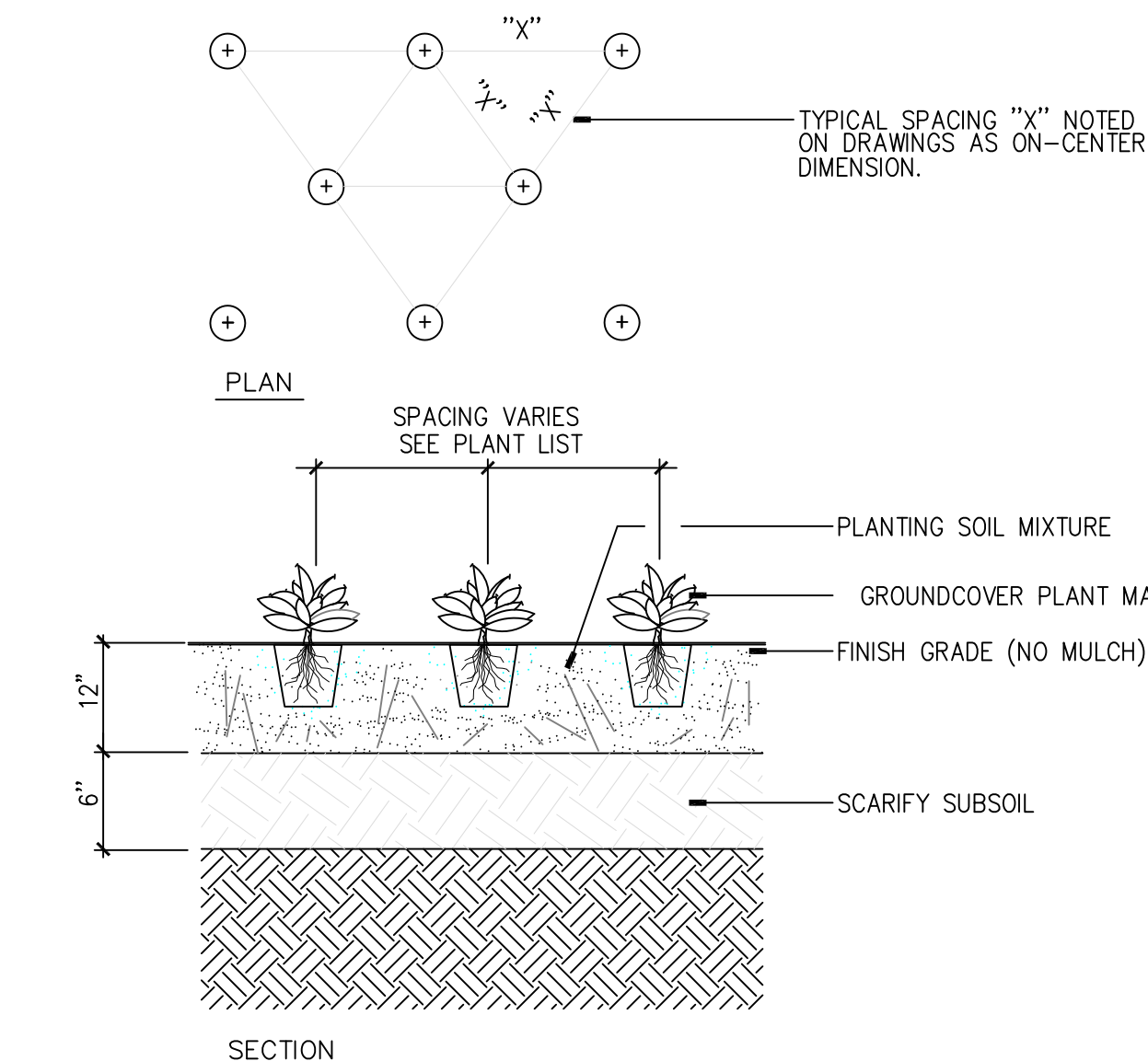
**7 EDGE AT PLANT BED AND PAVEMENT**  
SECTION \* NOT TO SCALE 290-008A



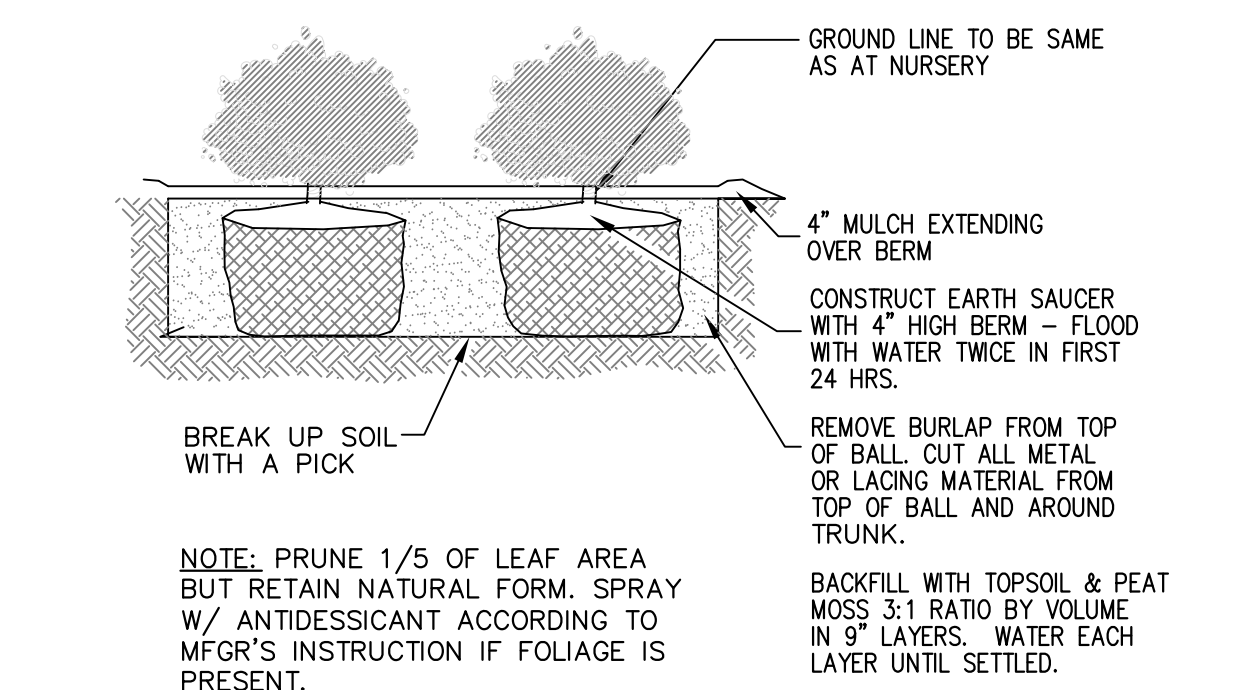
**6 EDGE AT PLANT BED AND LAWN**  
SECTION \* NOT TO SCALE 290-008



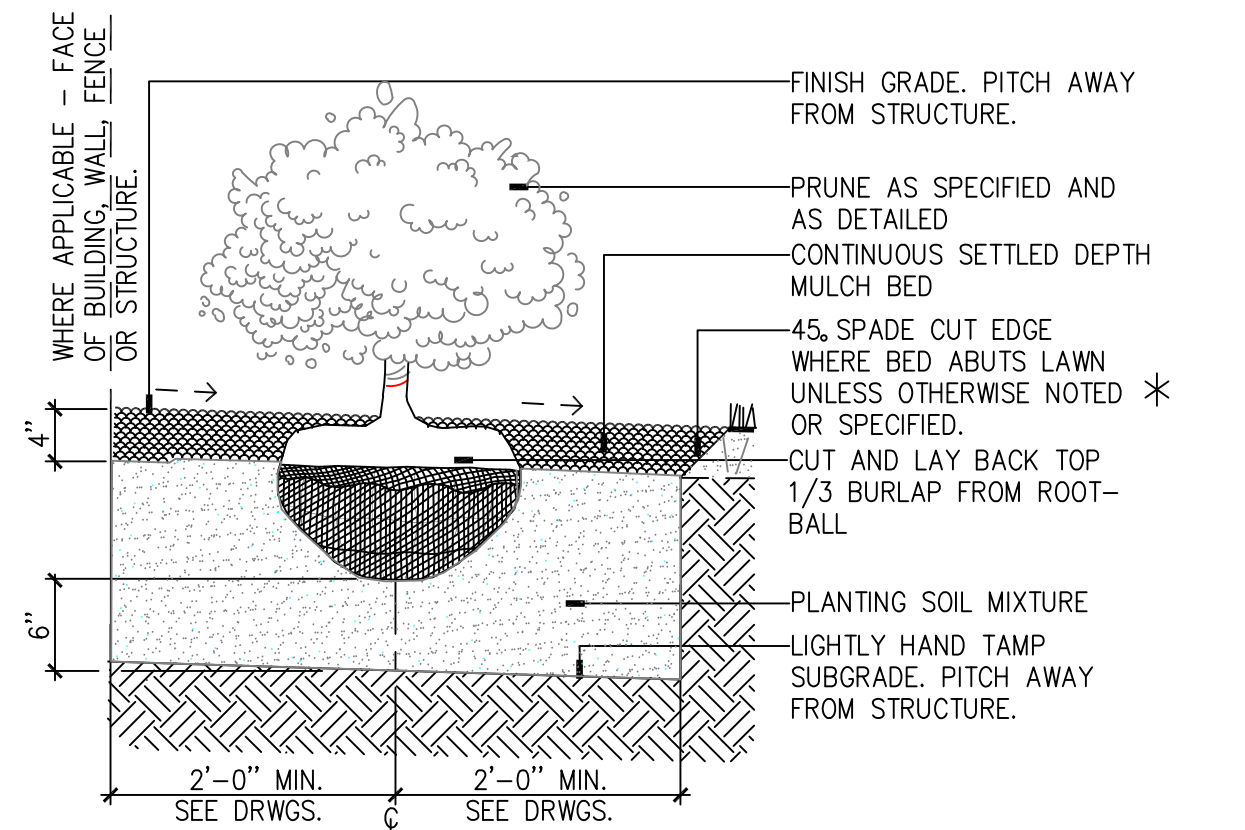
**5 DECIDUOUS TREE PLANTING - SINGLE STEM**  
SECTION \* NOT TO SCALE 290-001



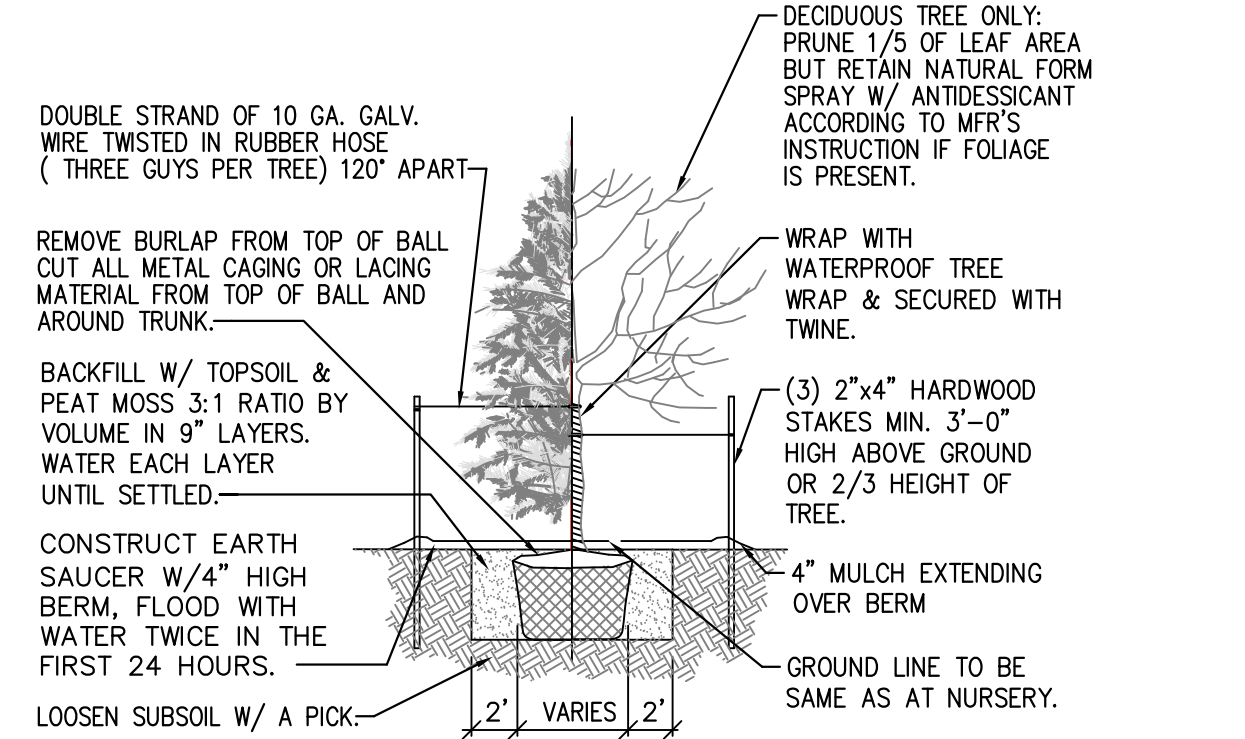
**4 GROUNDCOVER PLANT SPACING**  
SECTION \* NOT TO SCALE 2900-010



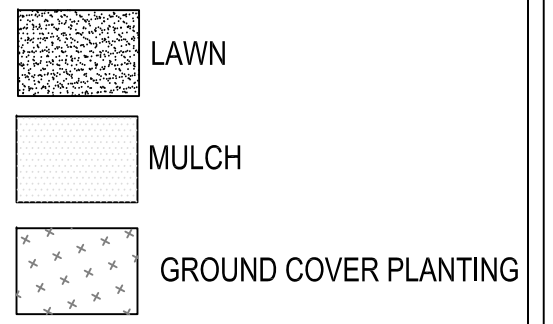
**3 SHRUB MASS PLANTING**  
SECTION \* NOT TO SCALE SHRUB



**2 SHRUB PLANTING**  
SECTION \* NOT TO SCALE SHRUB



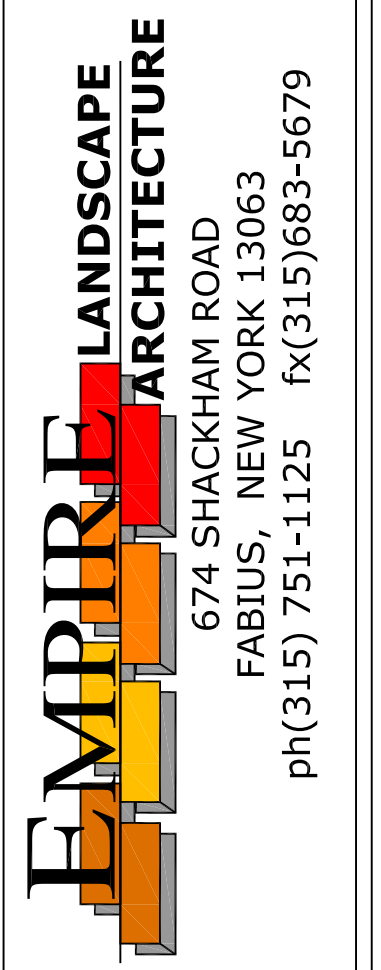
**1 TREE PLANTING**  
SECTION \* NOT TO SCALE TREE



Rev. No.	Date	Description

Project no. 16011  
Date: 06/14/2016  
Drawn By: JRS  
Scale: 1"=10'-0"

PROPOSED BUILDING ADDITION  
107 SOUTH ALBANY STREET, ITHACA NEW YORK 14850



**PLANTING PLAN**

Drawing No.:

**L-1**